

AMERICAN REINFORCED PLASTICS

SPECIFICATIONS

60" SHOWER STALL

MODELS: S-6035-R, S-6035-L,

TILE S-6035-R, TILE S-6035-L

COMPOSITION

American Reinforced Plastics bath products are manufactured using specially formulated sanitary polyester gel coat, backed with a heavy fiberglass reinforcing. The surround portion is a sandwich panel construction with a polyurethane core, built to exceed the standards of A.N.S.I. Z 124-1, Z 124-2, and UPC-11-60.

DESIGN FEATURES

- One piece construction eliminating all possible leakage.
- Factory pre-leveling makes installation quick and easy. Ideal for residential and commercial applications.
- Available in left or right hand seat configuration.
- **Optional grab bars** can be installed on request for an additional charge. Right or left hand stall must be specified. Units with grab bar feature have extra wood reinforcement laminated into the side walls for additional support.
- Simulated tile options, Tile S-6035-R, & Tile S-6035-L.

MAINTENANCE

Only easy to use liquid cleaners are required to maintain the bright, smooth surface in a like new condition. As in the case of any quality bathroom fixture, abrasive cleaners must not be used.

WARRANTY

Five year warranty against factory defects.

COLORS

Available to match current colors of major fixture manufacturers.

ARCHITECTS SPECIFICATIONS

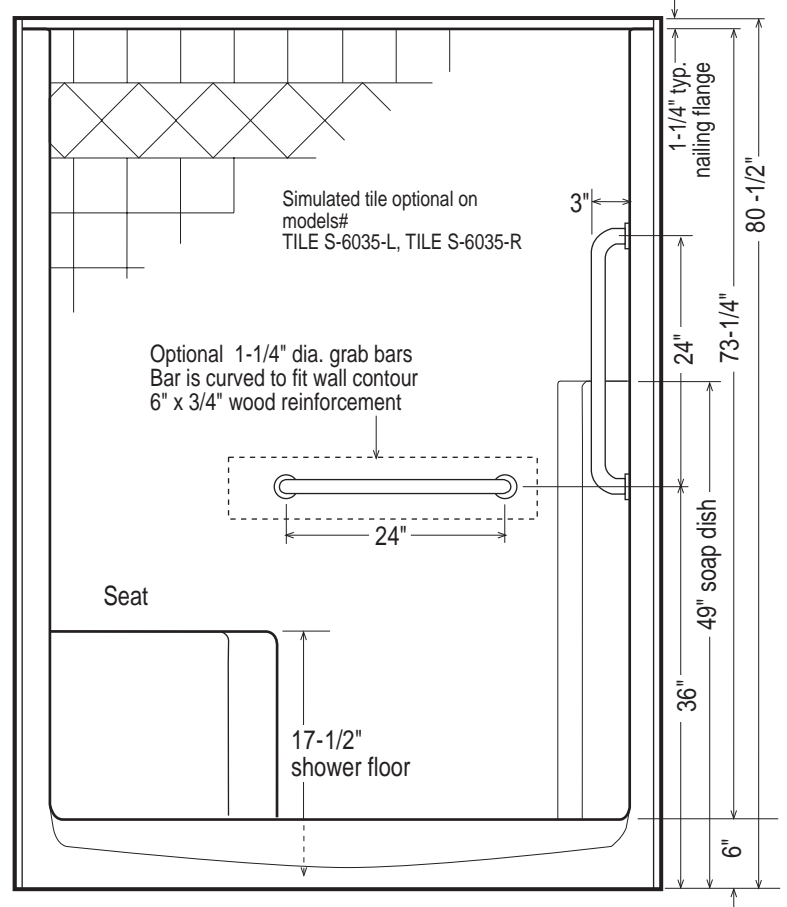
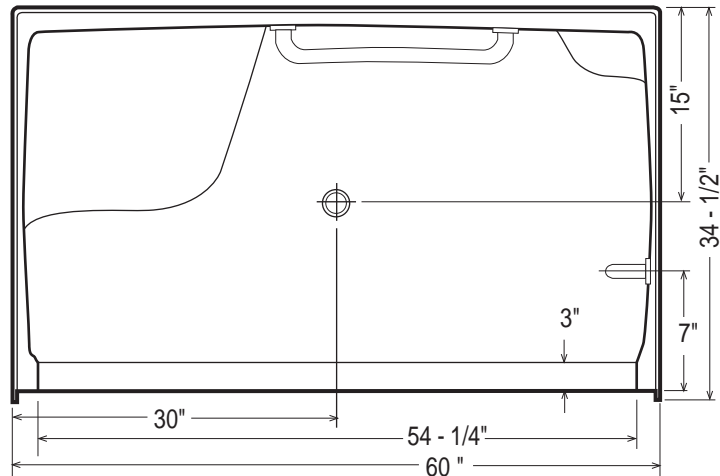
The shower units shall be one-piece, heavy duty, fiberglass reinforced polyester, gel-coated to provide sanitary, unbroken clean lines and a smooth surface. Wood reinforcement shall be used in wall panels to accept grab bars when grab bars are specified.

Optional grab bars may be mounted on either side wall of the stall and back wall as specified per order.

Special reinforcing, contouring and sandwich panel construction with a polyurethane core gives strength to exceed A.N.S.I. Z 124-1, Z 124-2 and UPC-11-60 standards. The units shall be self-supporting and the walls shall have nailing flanges on front and top edges and warranted against factory defects for five years.

The under portion of the shower units shall be coated with hi-density resin mixture with stable bearing against the floor, allowing no give to the bottom when installed.

The unit shall be an American Reinforced Plastics shower unit as manufactured by American Reinforced Plastics, Inc., 8209 Pacific Highway East, Tacoma, Washington, 98422.



Door Opening Measurements:

Width: 54 - 1/4"

Height: 73 - 1/4" max



AMERICAN REINFORCED PLASTICS

8209 PACIFIC HWY. EAST, TACOMA, WA 98422 • (253) 922-5808 • FAX (253) 922-2036 • WWW.ARPBATHTUBS.COM