

## 60" Special Access Shower Pan

ARP's *Special Access* shower pans are designed to fit into a 60" rough-in space, making it a perfect choice for remodelling existing standard five foot openings. ARP barrier free pans are ideal for assisted living projects, condominiums, health care applications, retirement centers, and residential use. Check local codes for ADA compliance.

### Model # S-6034-BFP

Dimensions: 60" X 34" x 7"

Threshold dimensions:

Outside dam height from subfloor 1 -1/2"

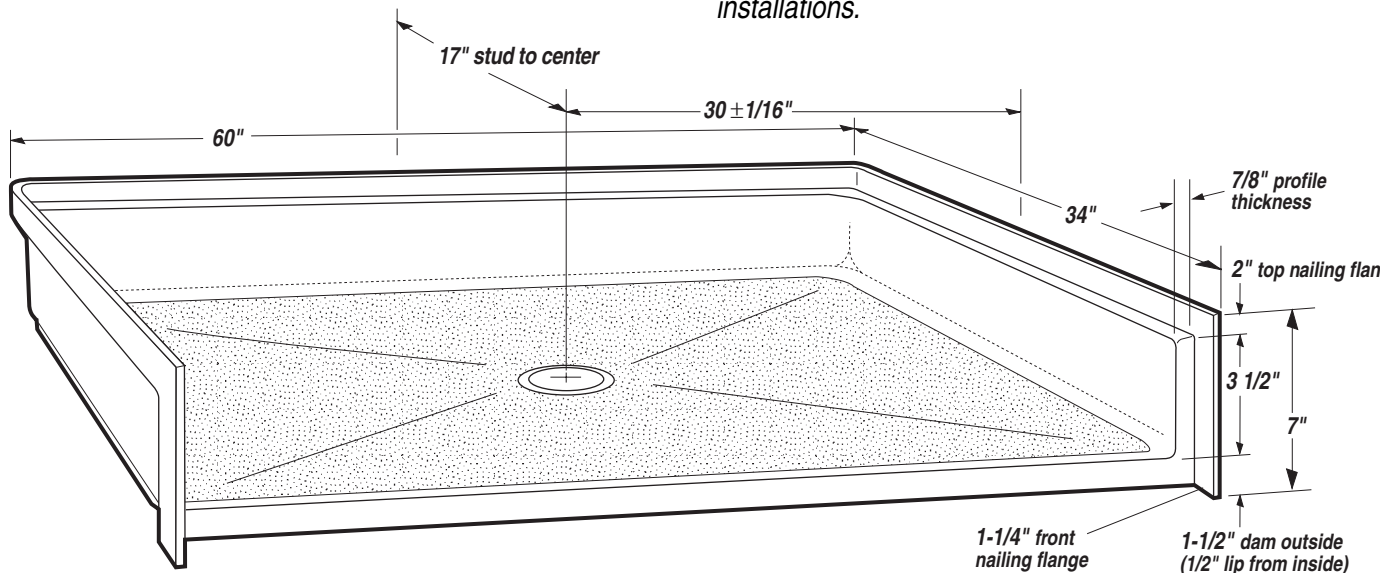
Inside dam height - 1/2"



### FEATURES:

- Low 1-1/2" dam (1/2" lip from the inside) provides easy roll-in access for wheelchair users.
- Cast resin floor support is integrated into the bottom of each pan to provide optimum floor support and eliminates flexing. Pre-leveled to simplify installation.
- A substantial 18-20 mils of sanitary gel coat provides a surface luster that is durable, easy to clean, and warm to the touch.
- Textured floor for added safety.
- Available in colors to match major fixture manufacturer's current color palettes.

See reverse side for cross sectional diagrams of possible installations.



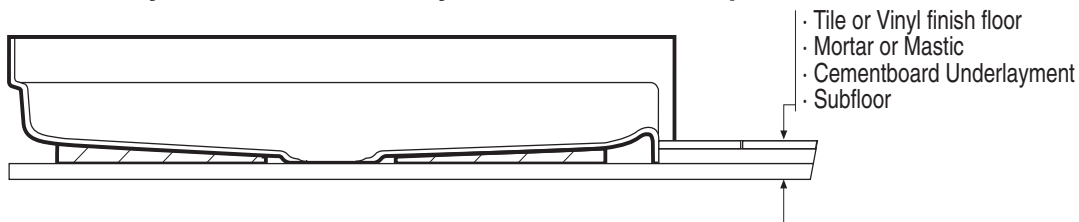
**Ideal for Remodeling, the ARP barrier free shower pan fits in an existing 60" rough-in openings.**

## Installation Possibilities for ARP Special Access Units:

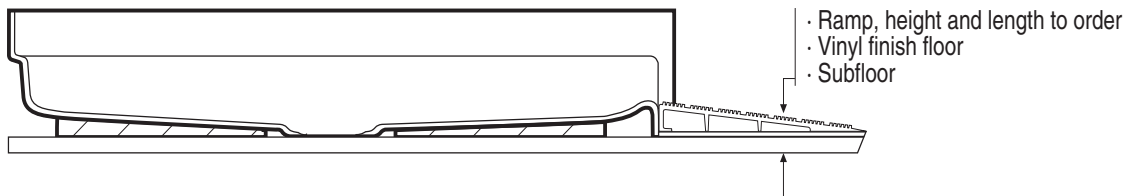
**Note on Special Access Barrier Free/ ADA products:** Underlayment, finish floors, cement subfloor arrangements can all vary in thickness. Aluminum ramps are available in several sizes. For flush exterior floor applications, confirm these measurements prior to beginning installation to ensure a desired result that will also conform to pertinent building codes.

Since ARP's Special Access low threshold products are designed for optimum accessibility, water may escape beyond the confines of the enclosure in certain circumstances. For this reason, a durable water proof floor surface outside the showers is highly advised.

### Tile or Vinyl on Cement Underlayment, 1/2" outside lip



### Vinyl on Subfloor with Ramp



### Tile on Cement Slab, flush install

